

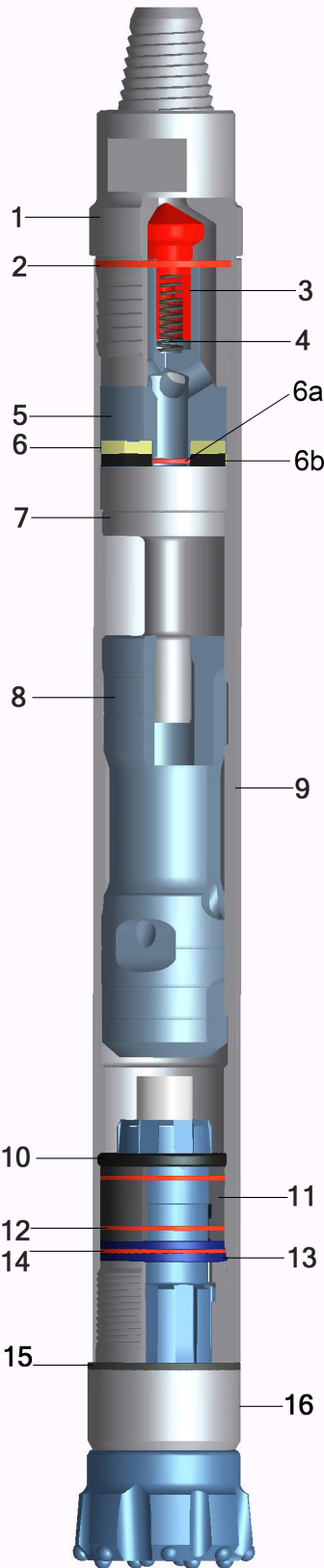
PITELUMEC

Thumper 60 DOWN THE HOLE HAMMER



THUMPER 60 FOR HOLE DIAMETER 152 - 216MM

PNEUMEC THUMPER 60 6" DOWN THE HOLE HAMMER



THUMPER 60 HAMMER PARTS LIST

1.	BACKHEAD 3-1/2" API REG PIN	HSP6S1T3M
2.	BACKHEAD "O" RING	HSP6S2
3.	CHECKVALVE	HSP6S3
4.	CHECK VALVE SPRING	HSP6S4
5.	VALVE CHEST	HSP6S5
6.	MAKE UP RING	HSP6S22
6a.	MAKE UP PLATE "O" RING	HSP6S6
6b.	MAKE UP PLATE	HSP6S23
7.	CONTROL TUBE	HSP6S8
8.	PISTON	HSP6S12360
9.	WEARSLEEVE	HSP6S18
10.	PISTON RING	HSP6S25
11.	GUIDE BUSH	HSP6S26
12.	GUIDE BUSH SEAL (2)	HSP6S27
13.	BIT RETAINERS	HSP6S15360
14.	BIT RETAINER "O" RING	HSP6S16
15.	CHUCK RELEASE WASHER	HSP6S21
16.	CHUCK DHD360	HSP6S19360
17.	COMPLETE HAMMER DHD360	HAM6S360THP

THUMPER 60 HAMMER SPECIFICATIONS

DIAMETER	141MM
LENGTH	1320MM
PISTON WEIGHT	23KG
HAMMER WEIGHT	118KG
HOLE DIAMETER	152MM – 216MM
BACKHEAD CONNECTION	3-1/2" API REG PIN
SHANK TYPE	DHD360

THUMPER 60 HAMMER AIR CONSUMPTION

PRESSURE (BAR / PSI)	CFM	M ³ /MIN
10.3 / 150	264	7.5
13.8 / 200	420	11.9
17.2 / 250	576	16.3
24.1 / 350	840	23.8



PNEUMEC COMPANY LIMITED

1st Floor, Tin On Sing Comm. Bldg., 41-43 Graham St. Central, H.K.

Tel : (852) 2180 9922

Website : www.pneumec.com

Fax : (852) 2180 9982

email : info@pneumec.com